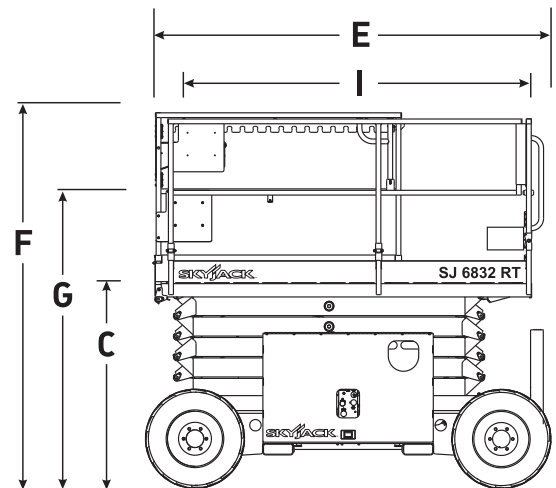
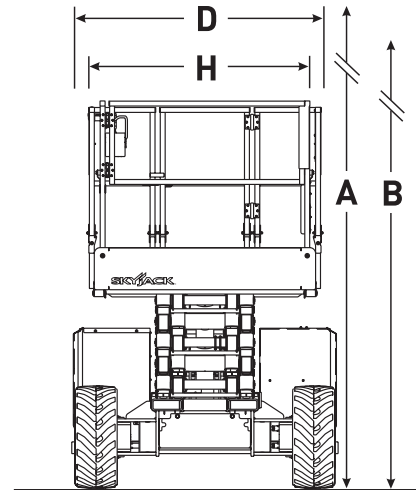


# SJ6826/32 RT ROUGH TERRAIN SCISSORS

Dimensions	SJ6826 RT	SJ6832 RT
<b>A</b> Work Height	32' (9.75 m)	38' (11.58 m)
<b>B</b> Raised Platform Height	26' (7.92 m)	32' (9.75 m)
<b>C</b> Lowered Platform Height	48.5" (1.23 m)	54" (1.37 m)
<b>D</b> Overall Width	69.5" (1.76 m)	69.5" (1.76 m)
<b>E</b> Overall Length	107" (2.72 m)	107" (2.72 m)
<b>F</b> Stowed Height (Rails Up)	93.5" (2.38 m)	99" (2.51 m)
<b>G</b> Stowed Height (Rails Down)	63.5" (1.61 m)	69" (1.75 m)
<b>H</b> Platform Width (Inside Dimension)	56" (1.42 m)	56" (1.42 m)
<b>I</b> Platform Length (Inside Dimension)	96" (2.44 m)	96" (2.44 m)
Specifications	SJ6826 RT	SJ6832 RT
Extension Deck	5' (1.52 m)	5' (1.52 m)
Ground Clearance	8" (0.20 m)	8" (0.20 m)
Wheelbase	80.5" (2.04 m)	80.5" (2.04 m)
Weight	6,400 lbs (2,903 kg)	7,660 lbs (3,475 kg)
Gradeability	50%	40%
Turning Radius (Inside)	60" (1.52 m)	60" (1.52 m)
Turning Radius (Outside)	156" (3.96 m)	156" (3.96 m)
Lift Time (With Rated Load)	36 sec	39 sec
Lower time (With Rated Load)	36 sec	36 sec
Drive Speed (Stowed)	3.8 mph (6.1 km/h)	3.8 mph (6.1 km/h)
Drive Speed (Raised)	0.4 mph (0.6 km/h)	0.4 mph (0.6 km/h)
Maximum Drive Height	Full Height	Full Height
Capacity (Overall)	1,250 lbs (567 kg)	1,000 lbs (454 kg)
Distributed Capacity (Main Platform)	950 lbs (431 kg)	700 lbs (318 kg)
Distributed Capacity (Extension Deck)	300 lbs (136 kg)	300 lbs (136 kg)
Local Floor Load (With Rated Load)	175 psi (1206 kPa)	181 psi (1248 kPa)
Overall Floor Load (With Rated Load)	281 psf (13 kPa)	297 psf (14 kPa)
Maximum # of Persons	4	4
Tire Type	Foam Filled	Foam Filled
Tire Size	26 x 12	26 x 12



## Skyjack Head Office

55 Campbell Rd. Guelph, ON Canada N1H 1B9  
 Sales Inquiries: 1-877-755-4387 (1-877-SJLIFTS)  
 Main Switchboard: 1-800-265-2738  
 Phone: 519-837-0888  
 Fax: 519-837-8104  
 Email: skyjack@skyjack.com  
 www.skyjack.com

This brochure is for illustrative purpose only and based on the latest information at the time of printing. Skyjack Inc. reserves the right to make changes at any time, without notice, to specifications, standard and optional equipment. Consult the Operating Maintenance and Parts Manuals for proper procedures. Work platforms have been tested to comply with ANSI and CSA standards as interpreted by Skyjack Inc.

